

HOME LIFT



**START
ELEVATOR**

OLEODINAMIC COMPONENTS FOR LIFTS





**START
ELEVATOR**
OLEODINAMIC COMPONENTS FOR LIFTS

Hydraulic components for lifts and elevators

Design and production of hydraulic components for lifts and elevators.

Highly skilled in the creation of Special Plants.

Since 1967 START ELEVATOR HYDRAULIK has produced "Oleodynamic Groups for Elevators and Equipment-Lifts".

Thanks to "on-site" design and construction of fundamental components, to technological innovation and to the presence of highly specialized staff, START ELEVATOR Srl has turned into a very competitive company, able to guarantee product quality and to promptly respond to everything the market requires.

Technology

Thanks to the total domestic production of all components using modern tools and constantly updated, specialized and trained personnel with years of experience, allows Start Elevator to respect the most important prerogative: the Product Quality.

Establishment

The Company, founded in a small workshop of a few hundred square meters, thanks to continuous investment in research and development of its products, now has a Start Elevator home to more than 5000 square meters with the capacity and flexibility to satisfy every request in a short time.

GRUPPO VALVOLE 96E

GRUPPI VALVOLE



Technical features Valve Groups 96E

Pressure Range [Bar] 10 – 70

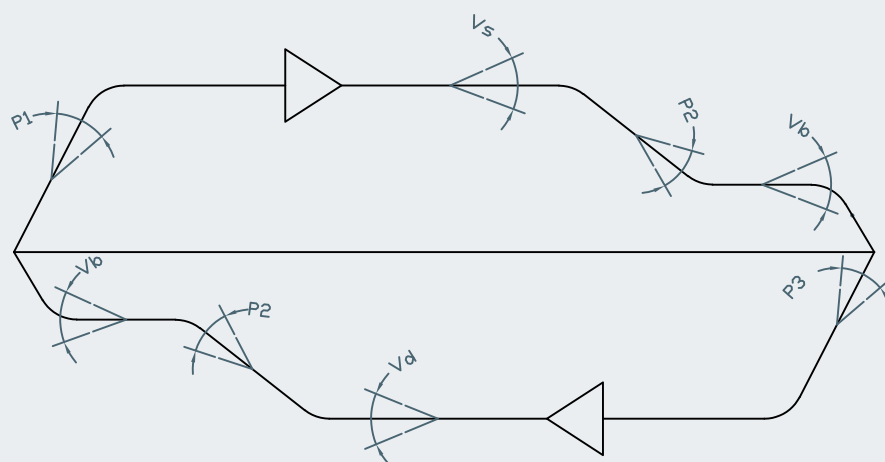
Temperature Range [C°] 8 – 60

Flow Range [Lt/min] 6 – 55

Aluminium body

Constant speed at loads changing

Valve group 96E



Parameters

- P1. Acceleration ramp uphill
- P2. Deceleration (adjustable)
- P3. Acceleration ramp downhill (adjustable)
- Vs. High speed uphill (adjustable)
- Vd. High speed downhill (adjustable)
- Vb. Low speed (adjustable)

GRUPPO VALVOLE 98U

GRUPPI VALVOLE



Valve group 98U

Technical features Valve Groups 98U

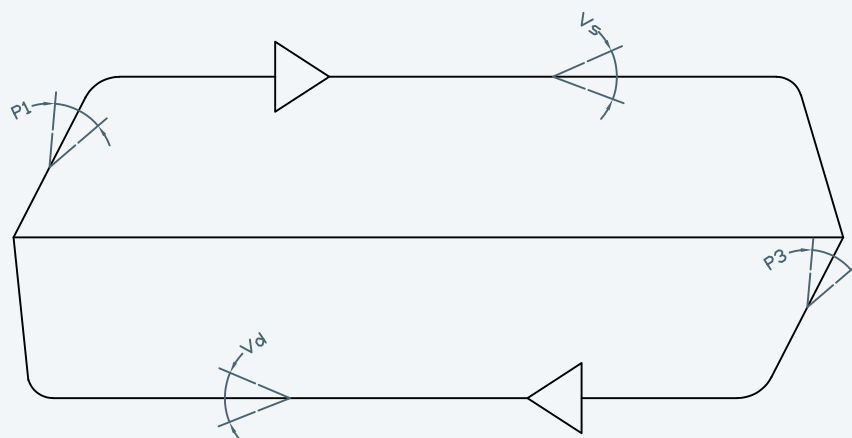
Pressure Range [Bar] 10 – 70

Temperature Range [C°] 8 – 60

Flow Range [Lt/min] 6 – 55

Aluminium body

Constant speed at loads changing



Parameters

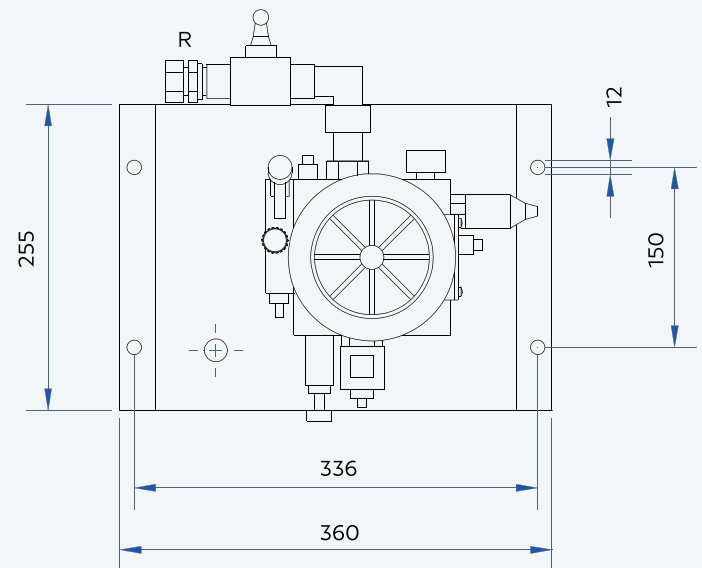
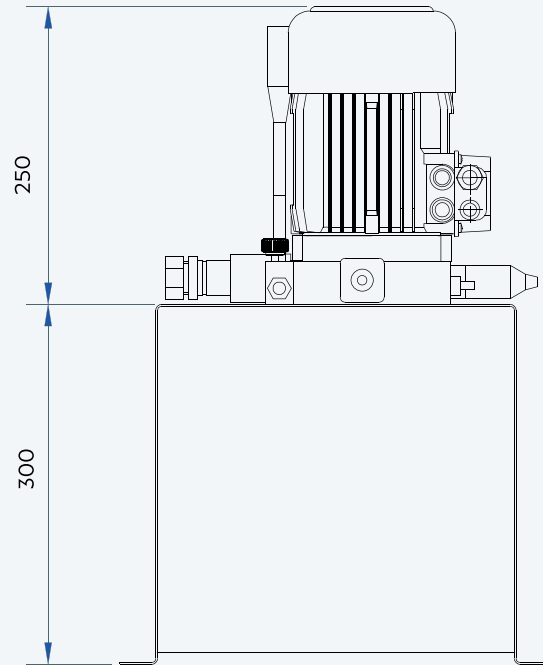
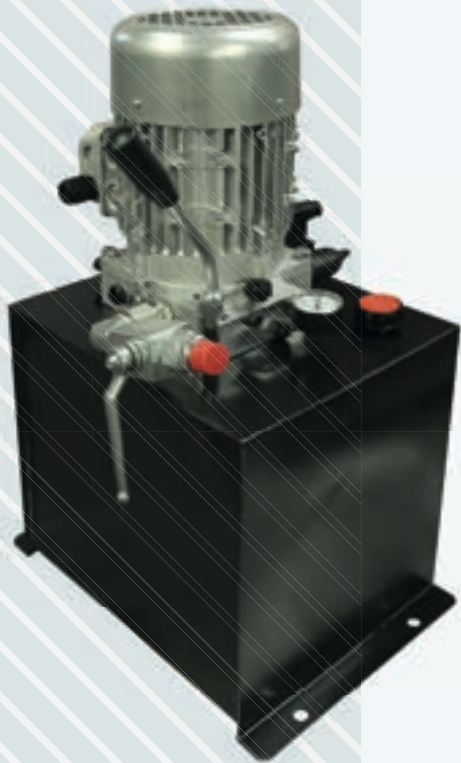
P1. Acceleration ramp uphill

P3. Acceleration ramp downhill (adjustable)

Vs. High speed uphill (adjustable)

Vd. High speed downhill (adjustable)

PUMP UNIT UP-DOWN

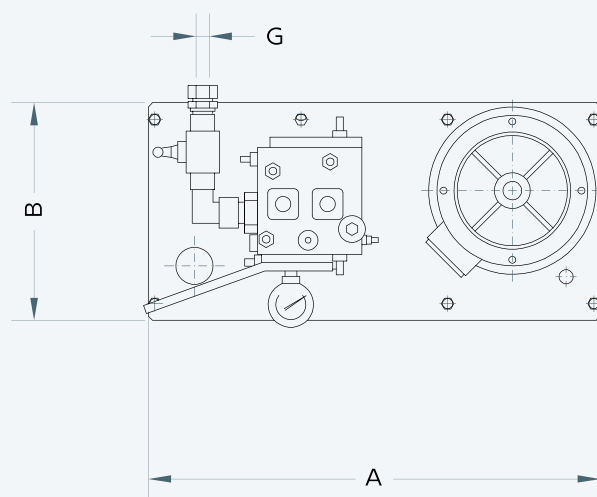
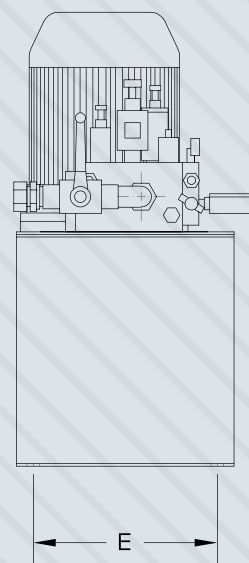
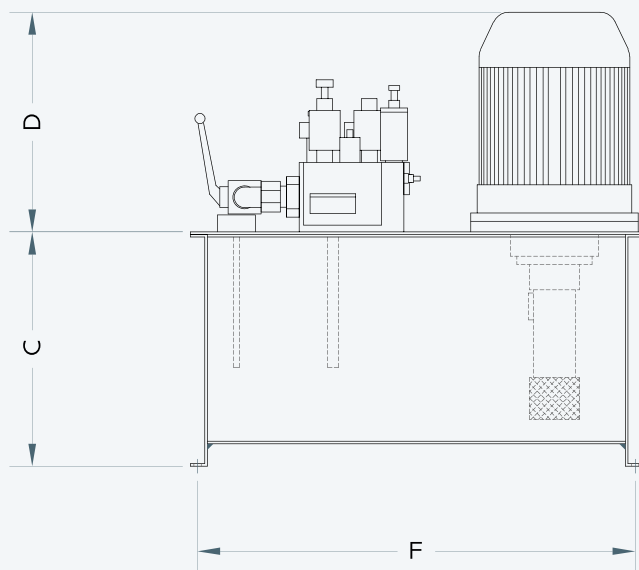


Dimensions in mm

| N. Pole Motor | Tank type | Pump type [l/min] | Connect [Gas - mm] | | CAPACITY [litres] | | WEIGHT [kg] |
|---------------|-----------|---------------------|--------------------|----|-------------------|-------------|-------------|
| | | | R | | Min. | Disponibile | |
| 4 | UP-DOWN | 6, 8, 12, 16 | G 3/8 - G 1/2 | 22 | 4 | 18 | 30 |

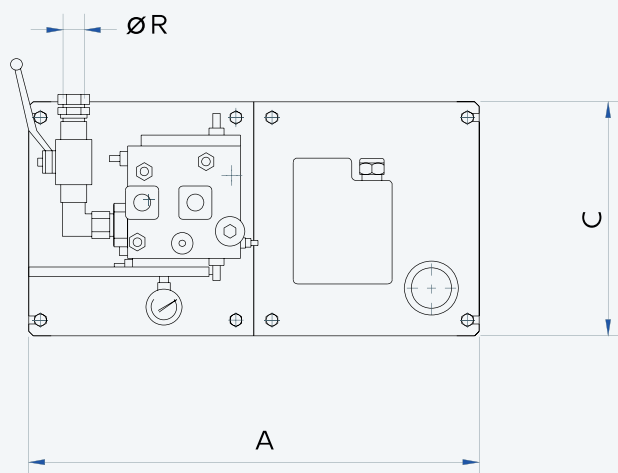
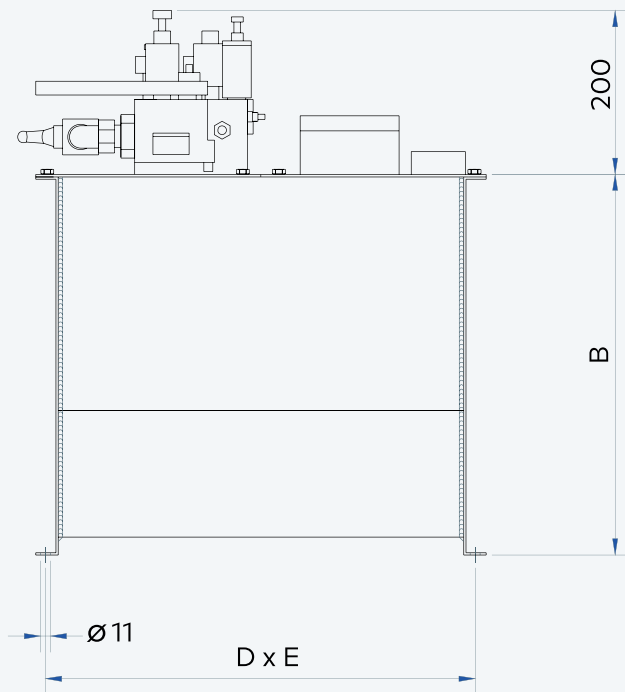
PUMP UNIT AIR MOTOR

PUMP UNITS



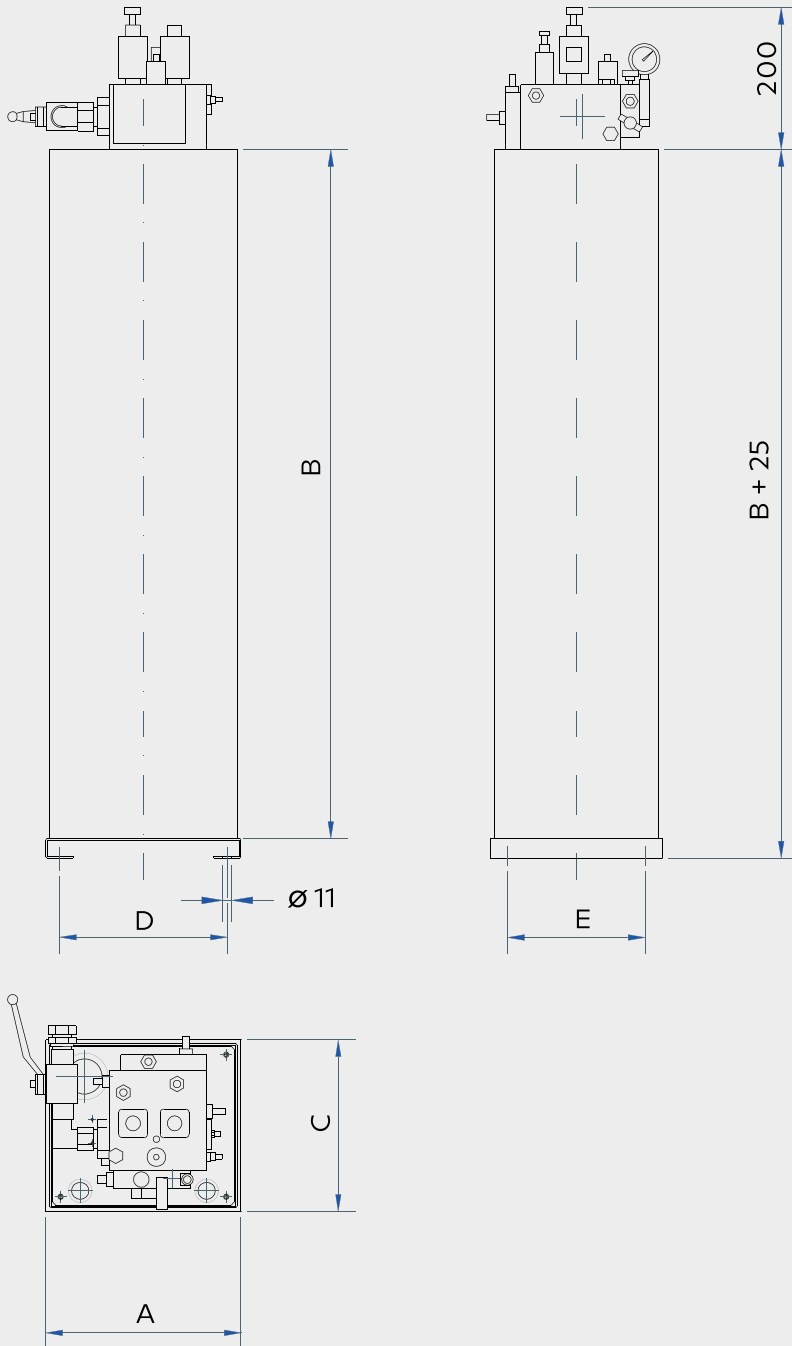
| Tank type | Flow [Lt/min] | Uscita [Gas] | Uscita [mm] | A [mm] | B [mm] | C [mm] | D [mm] | E [mm] | F [mm] | Capacity [Lt] | |
|-----------|---------------|--------------|-------------|--------|--------|--------|--------|--------|--------|---------------|-----|
| | | G | G | | | | | | | Min | Max |
| 98/01SL | 8 - 35 | 3/8" - 1" | 22 - 28 | 540 | 260 | 280 | 295 | 220 | 523 | 8 | 19 |
| 90/01 | 8 - 35 | 3/8" - 1" | 22 - 28 | 450 | 315 | 280 | 295 | 275 | 426 | 8 | 19 |
| 96/SL | 8 - 55 | 3/8" - 1" | 22 - 28 | 570 | 355 | 363 | 310 | 315 | 466 | 9 | 32 |
| 01/ | 8 - 55 | 3/8" - 1" | 22 - 28 | 720 | 415 | 403 | 330 | 375 | 690 | 17 | 53 |

PUMP UNIT SUBMERSIBLE MOTOR



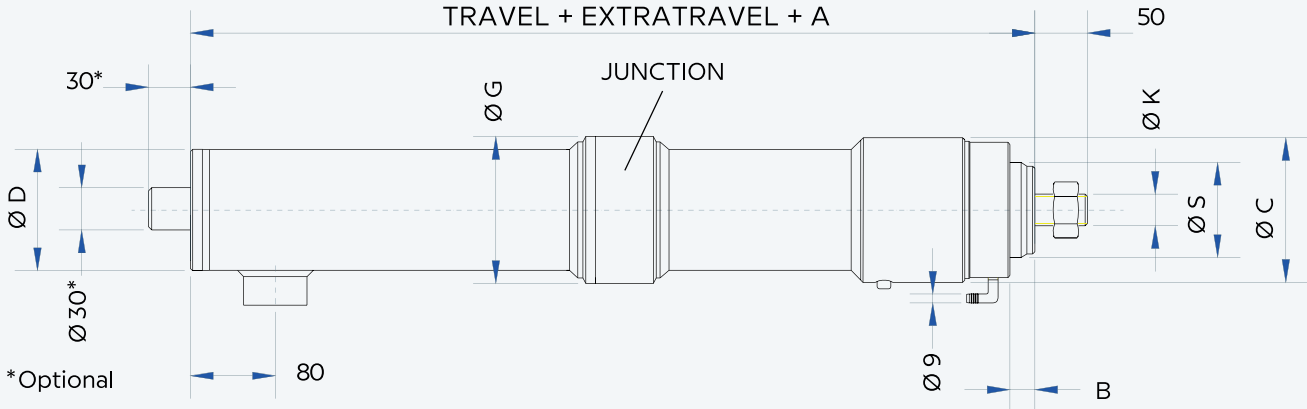
| Tank type | Pump type [l/min] | Connector [Gas-mm] R | DIMENSIONS [mm] | | | | | CAPACITY [litri] | | WEIGHT [kg] |
|-----------|-------------------|--------------------------------|-----------------|----------|----------|----------|----------|------------------|--------------------|-------------|
| | | | A | B | C | D | E | Min. | Disponibile | |
| 03/01 | 8, 12, 16 25 | G 1/2 - G 3/4 G 3/4 | 520 | 443 | 260 | 495 | 220 | 12 | 24(1) - 26 | 40 |
| 03/02 | 34 - 40 | G 3/4 | 600 | 443 | 320 | 575 | 280 | 16 | 32(1) - 34 | 45 |

PUMP UNIT VERTICAL



| Tank type | Pump type [l/min] | Connector [Gas - mm] | DIMENSIONS [mm] | | | | | CAPACITY [litri] | | WEIGHT [kg] |
|-----------|---------------------|----------------------------------|-----------------|------|-----|-----|-----|------------------|------|-------------|
| | | | R | A | B | C | D | E | Min. | |
| HSL/01 | 8, 12, 16 25, 30 | G 1/2 - G 3/4 - 22 G 3/4 - 22 | 250 | 900 | 220 | 215 | 176 | 17 | 25 | 50 |
| HSL/02 | 8, 12, 16 25, 30 | G 1/2 - G 3/4 - 22 G 3/4 - 22 | 250 | 1200 | 220 | 215 | 176 | 17 | 40 | 55 |

PISTON SL

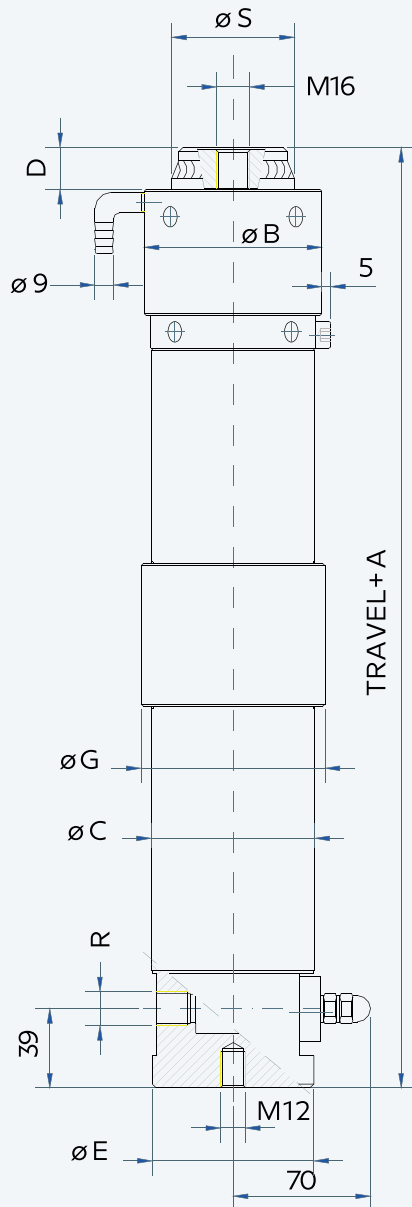


Piston SL features

- Small size
- Less quantity of oil

| PISTON TYPE [mm] | | DIMENSIONS [mm] | | | | | |
|------------------|----------|-----------------|----|-----|-------|-----|-----|
| ØS | Spessori | A | B | ØC | ØD | ØG | ØK |
| 80 | 5-7.5-12 | 200 | 23 | 126 | 101.6 | 130 | M30 |
| 90 | 5-7.5-12 | 200 | 23 | 137 | 114.3 | 139 | M30 |
| 100 | 5-7.5-12 | 200 | 23 | 157 | 133 | 159 | M30 |

PISTON HOME



Piston Home features

- Small size
- Less quantity of oil
- Safety valve integrate in the bottom of piston

| PISTON TYPE $\varnothing S$ [mm] | A | B | C | D | E | G | R |
|-------------------------------------|-----|-----|----|----|----|-----|-------|
| 60 | 262 | 87 | 80 | 20 | 79 | 96 | G 1/2 |
| 70 | 262 | 100 | 90 | 20 | 89 | 106 | G 1/2 |



**START
ELEVATOR**
COMPONENTI OLEODINAMICI PER ASCENSORI

START ELEVATOR SRL

29010 Incrociata di Calendasco (PC) - ITALIA
Tel. 0039 0523 771131 - 772774
Fax 0039 0523 771632

www.startelevator.it
startelevator@startelevator.it